

Side Channel pumps

Self-priming, segmental type with very low NPSH

CEH 1201 ... 6108

CEH 1202/5 ... 6108/5

CEH 1202/7 ... 6107/7



Technical data

Capacity:	from 0,4 up to 35 m ³ /h
Delivery head:	from 10 up to 354 m
Speed:	1450 rpm (max. 1800 rpm)
Temperature:	max. 120 °C max. 180 °C for high temperature design (higher temperatures upon request)
Casing pressure:	PN 40
Shaft sealing:	stuffing box or mechanical seal
Flange connections:	DIN 2501 / PN 40
Direction of rotation:	anti-clockwise, (when seen from the drive end)



Application

The Sterling SIHI CEH pump is a self-priming side channel pump capable of handling gas along with the medium and operates at a low noise level.

The CEH pumps are used for problem-free pumping of clean liquids at unfavourable suction side conditions. They are also very suitable for positive suction heads below 0.5m

The different material possibilities with uniform dimensions and performance characteristics as well as the standard exchangeable components, make the CEH particularly recommendable for applications in the pharmaceutical, chemical or petrochemical market as well as in the plastic or oil industry. Because of its low NPSH and positive suction head the CEH is very suitable for the pumping of liquefied gasses and liquids under vapour pressure like condensate, refrigerant, boiler feed water or LPG.

The pumps of the CEH /7 series have a retaining stage to avoid the dry running by controlling the liquid level in the pump. This design is especially developed for the handling of liquids under vapour pressure or when pumping from underground tanks. The series CEH /5 are used for bottom off-loading of liquids under vapour pressure.

Design

Pumps of the series CEH have a segmental type construction with open vane wheel impellers. The construction of the CEH pump is a so-called centrifugal combined system.

This combination pump is suited with a centrifugal stage in serial connection before the side channel stages to obtain a more favourable NPSH.

The program comprises 6 sizes each with 1-8 stages. The existing material design allows an optimum rating for the respectively desired performance range and the pumping medium.

Pumps of the series CEH /7 are equal to the CEH series but equipped with a retaining stage. This program comprises 6 sizes with 2-7 stages. The series CEH /5 have also 6 sizes but with 2-8 stages.

The applied hydraulic components are from our Modular Side Channel system (interchangeability of parts).

Construction

Casing pressure

Maximum 40 bar from -40 °C up to +120 °C.
Maximum 32 bar from +120 °C up to +180 °C.
Pressure stages for temperature as per DIN EN 1333.

Please observe

Technical rules and safety regulations:
Casing pressure = inlet pressure + delivery head at minimum pump capacity.

Position of branches

Axial suction branch, discharge branch points radially upwards

Flanges

The flanges correspond to DIN EN 1092-2 / PN 40.
Flange design as per DIN 2512 with groove or drilled according to ANSI 150 or 300 lbs is basically possible.

Bearing

One grease lubricated ball bearing according to DIN 625 and one liquid surrounded sleeve bearing (design A). The ball bearing is greased for life.

Direction of rotation

Anti-clockwise, when looking from the drive end.

Shaft sealing

The shaft can be sealed by a stuffing box or a mechanical seal conform DIN EN 12756.
The shaft sealing is also available in a design suitable for heating or cooling of the stuffing box or the mechanical seal.

Double mechanical seal (back-to-back as well as tandem) or a quench design with throttle bush are available upon request. The CEH can also be supplied with a magnetic coupling (for information see the separate catalogue).

Material design CEH

Cast iron and Ductile iron

Pos	Components	Material design					
		0A	0B	0F	1A	1B	1F
1060	Suction casing	EN-GJL-250			EN-GJS-400-18-LT		
1070	Discharge casing						
1080	Intermediate piece						
1090							
1140 1141							
2100	Shaft	X 20 Cr 13					
2310	Impeller	EN-GJL-250					
2350	Vane wheel impeller	CuZn40Al2	G-X 3 CrNiMoCuN 26 6 3 3	PAEK	CuZn40Al2	G-X 3 CrNiMoCuN 26 6 3 3	PAEK
3500	Bearing housing	EN-GJL-250					
4410	Mechanical seal casing	EN-GJL-250			EN-GJS-400-18-LT		
4510	Stuffing box casing						
0241	Bearing bush	CY 10 C / Carbon Antimony *					

* Bearing bush in Carbon Antimony is used only in the high temperature design. This high temperature design is also provided with cup springs and a cooled stuffing box or cooled mechanical seal.

Stainless steel

Pos	Components	Material design	
		4B	4F
1060	Suction casing	G-X 6 CrNiMo 18 10	
1070	Discharge casing		
1080	Intermediate piece		
1090			
1140 1141			
2100	Shaft	X 5 CrNiMo 17 12 2	
2310	Impeller	G-X5 CrNiMoNb 18 10	
2350	Vane wheel impeller	G-X 3 CrNiMoCuN 26 6 3 3	PAEK
3500	Bearing housing	EN-GJL-250 coated	
4410	Mechanical seal casing	G-X 6 CrNiMo 18 10	
0241	Bearing bush	CY 10 C / Carbon Antimony *	

* Bearing bush in Carbon Antimony is used only in the high temperature design. This high temperature design is also provided with cup springs and a cooled stuffing box or cooled mechanical seal.

Casing seal

The casing can be sealed with a liquid sealing compound or soft Teflon.

Drive

By electric motor, type of construction IM B3.
For LPG, EExe or Eex d(e) motors are available.

General comments

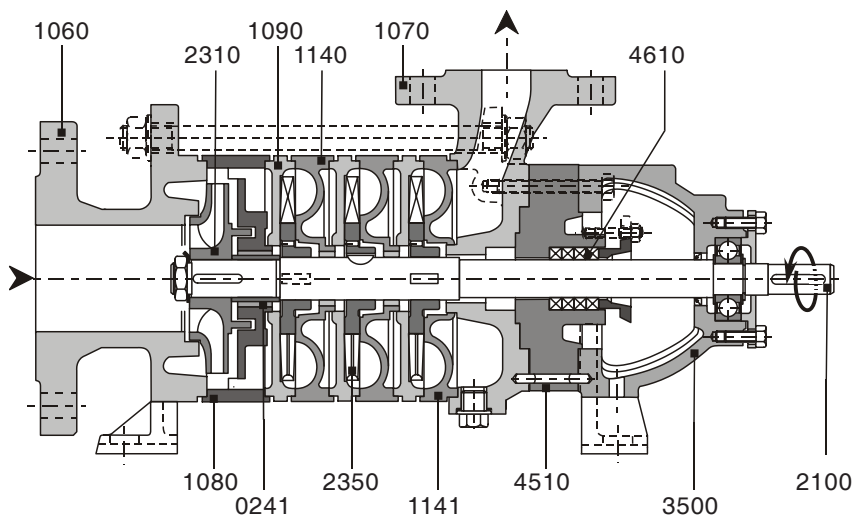
Side Channel pumps with the same hydraulic construction are manufactured in series as:

- CEH** With magnetic coupling
- CEB** Vertical tank mounted pump, PN 25 with magnetic coupling
- CEV** Vertical tank mounted pump, PN 25 with mechanical seal (replacement of CVGP)
- AEH** High duty pump, PN 40
Also available with magnetic coupling
- AKH** Medium duty pump, PN 16
- AOH** Low duty pump with oval flanges, PN 10

Technical documents about these pump series will be readily supplied on request.

Sectional drawing and parts list CEH (typical)

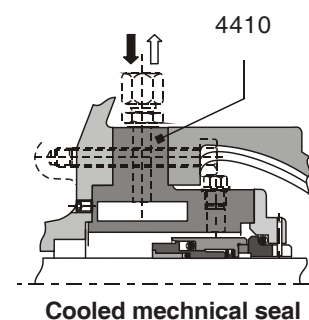
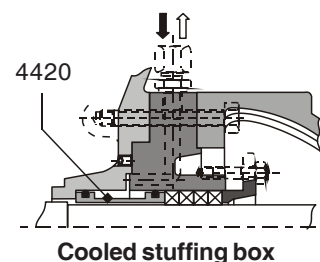
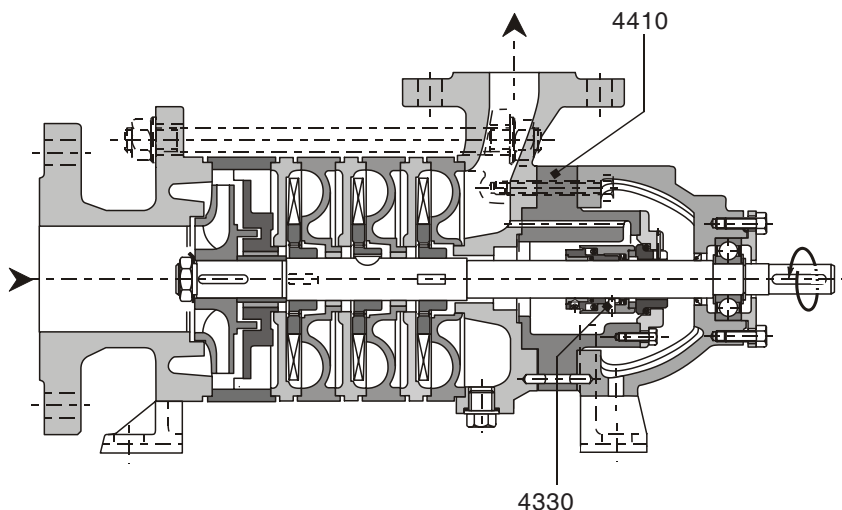
CEHA with stuffing box



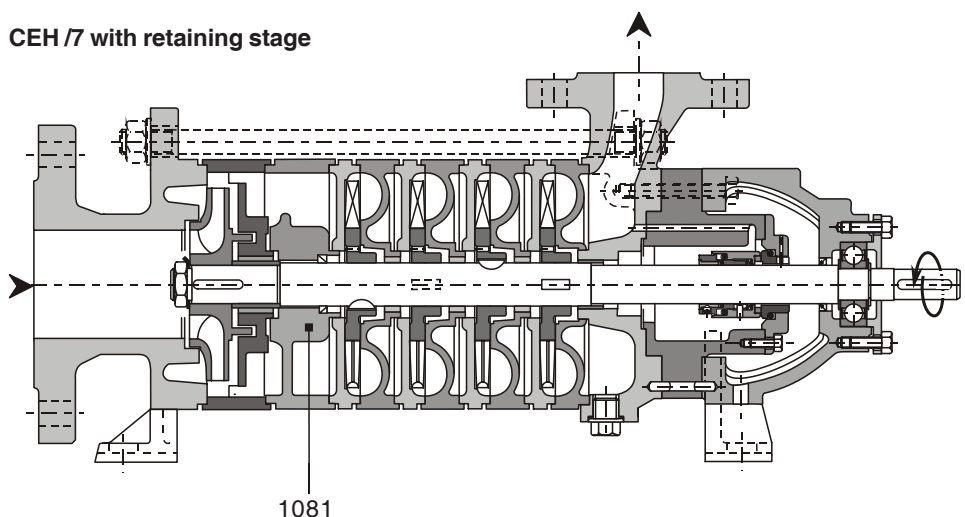
Pos.	Components
0241	Bearing bush
1060	Suction casing
1070	Discharge casing
1080	Intermediate piece
1081	Retaining stage
1090	Suction intermediate piece
1140	Discharge intermediate piece
1141	Discharge intermediate piece
2100	Shaft
2310	Impeller
2350	Vane wheel impeller
3500	Bearing housing
4330	Mechanical seal
4410	Mechanical seal casing
4420	Cooling insert
4510	Stuffing box casing
4610	Stuffing box

CEH with mechanical seal

Unbalanced as well as balanced mechanical seals are available.



CEH/7 with retaining stage



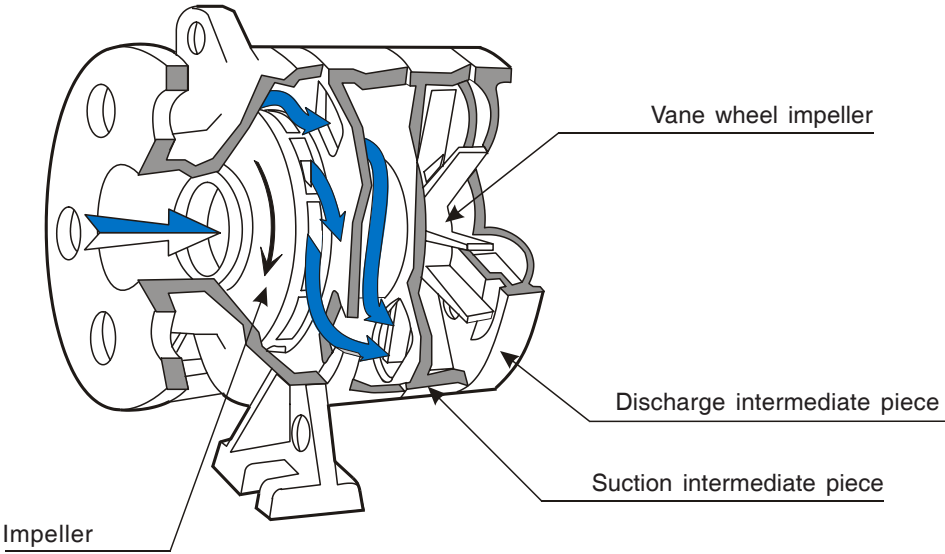
All possible design combinations can be found in the delivery program

Operating principle CEH

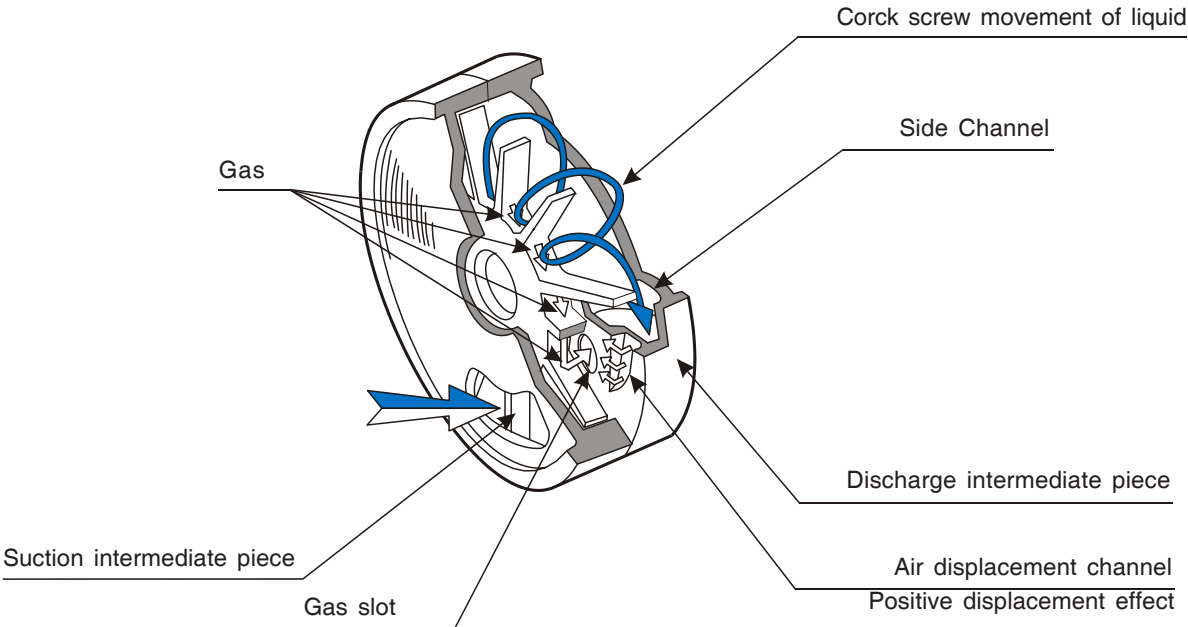
The CEH pump or so-called centrifugal combined system (combination pump) is suited with a low NPSH centrifugal impeller before the side channel stages (series connection). This NPSH inducer stage creates enough pressure to overcome the entrance pressure loss of the first side channel stage or NPSH required.

A side channel stage consist of:

- a suction intermediate piece with the suction port,
- a discharge intermediate piece with the side channel, the air displacement channel at the end of the side channel, the discharge port and the gas slot,
- a vane wheel impeller enclosed by the two intermediate pieces.



The turning of the vane wheel impeller creates an under pressure at the beginning of the side channel (centrifugal effect) and the gas or liquid with gas is drawn in. The air displacement channel provokes a **positive displacement** effect so the gas remaining at the root of the vane wheel impeller is forced out through the gas slot. The pressure generating is obtained by the repetitive re-entering of the liquid in the side channel (**corkscrew movement**).



A side channel pump can de-aerate and degas the suction line by itself and is thus very suitable for suction lift operation. A side channel pump can handle large quantities of (entrained) gas. Mixtures up to a gas share of 50% are possible. The ability for self-priming and the handling of large amounts of (entrained) gas, will guarantee continuous operation even in case of evaporation and therefore contribute to a higher level of safety in industrial processes.

To avoid cavitation the distance between the liquid level and the entrance at the suction side of the pump is restricted. This distance is related to the NPSH or Net Positive Suction Head. The NPSH for CEH pumps is very low due to it special construction. The axial entrance and its larger diameter results in a less disturbed flow and lower friction losses. Together with the low NPSH of the centrifugal impeller the CEH can handle a positive suction head of less than 0.5 m. This makes the CEH very suitable for pumping liquids near their boiling point at reasonable economic expenses and the low NPSH guarantees also full output capacity because of operation without cavitation.

Performance range CEH

General conditions

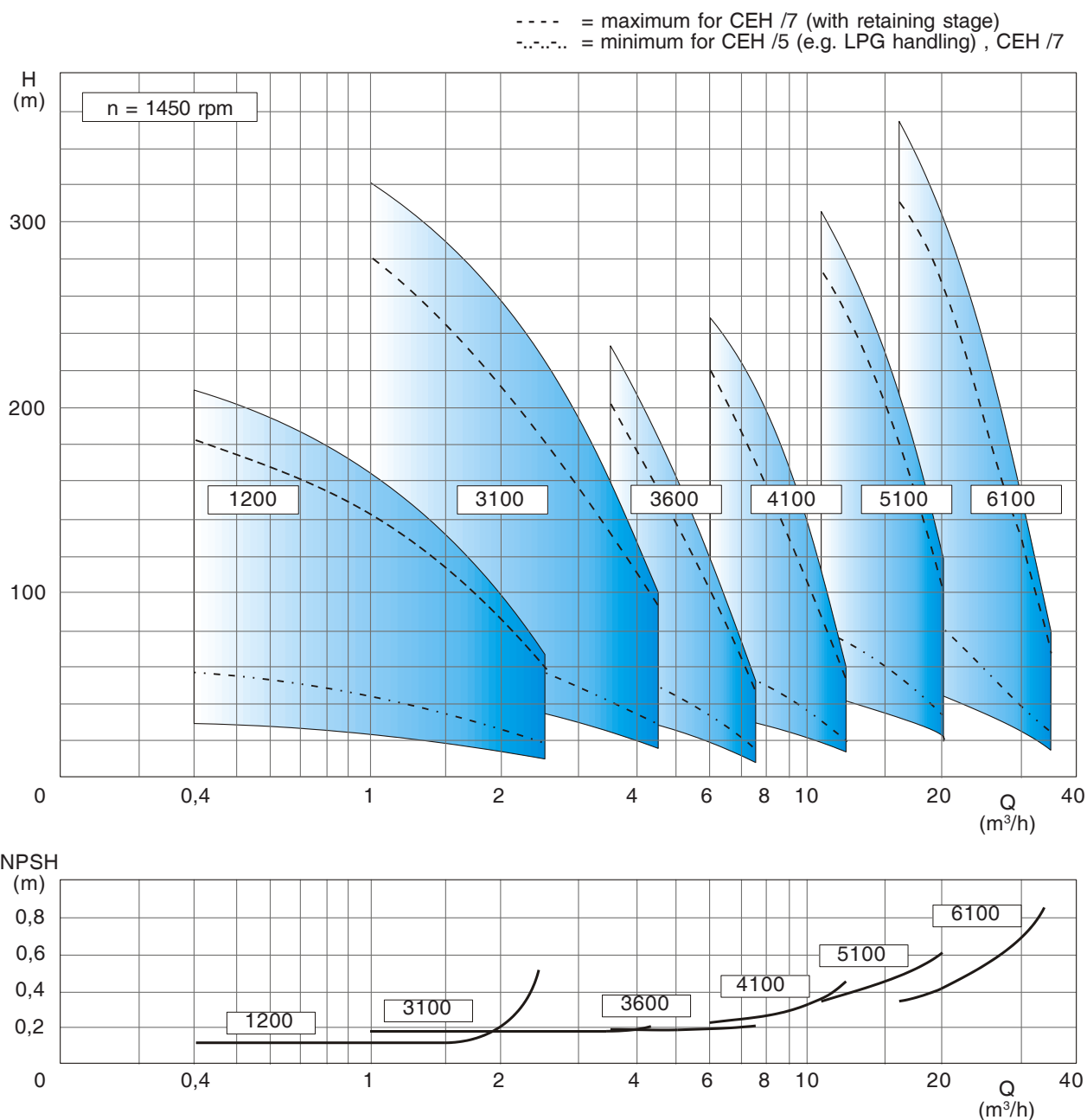
Liquid: Water
 Density: 1 kg/dm³
 Viscosity: 1 cSt
 Temperature: 20 °C
 Atmospheric pressure: 1013 mbar

Characteristic tolerances

Capacity ± 5% - Delivery head ± 5% - Power + 10%
 For designs with a mechanical seal or a casing seal of soft Teflon, the tolerance for the delivery head is extended by 2% each.

Measuring standard

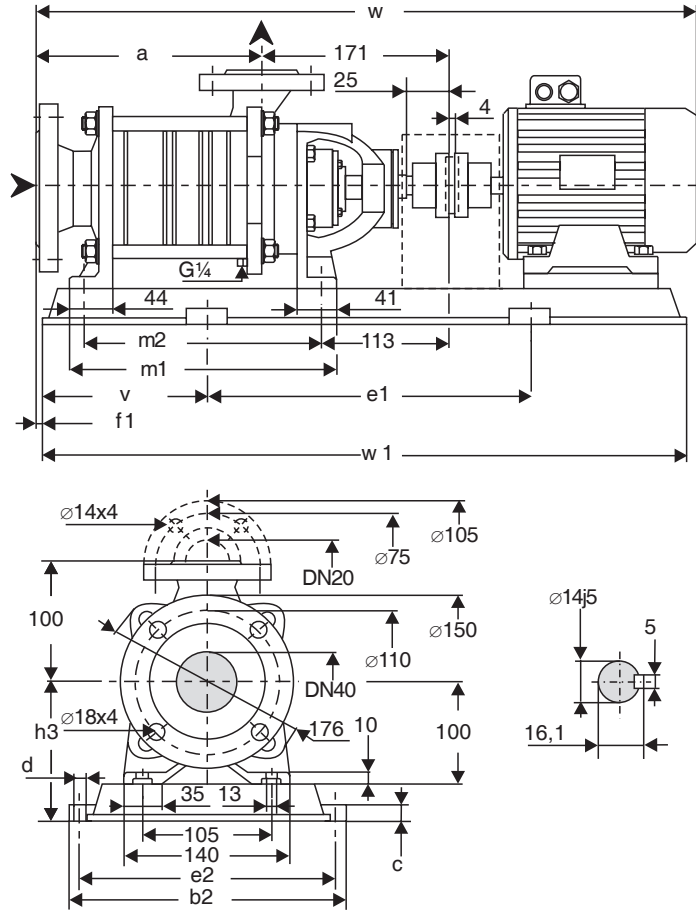
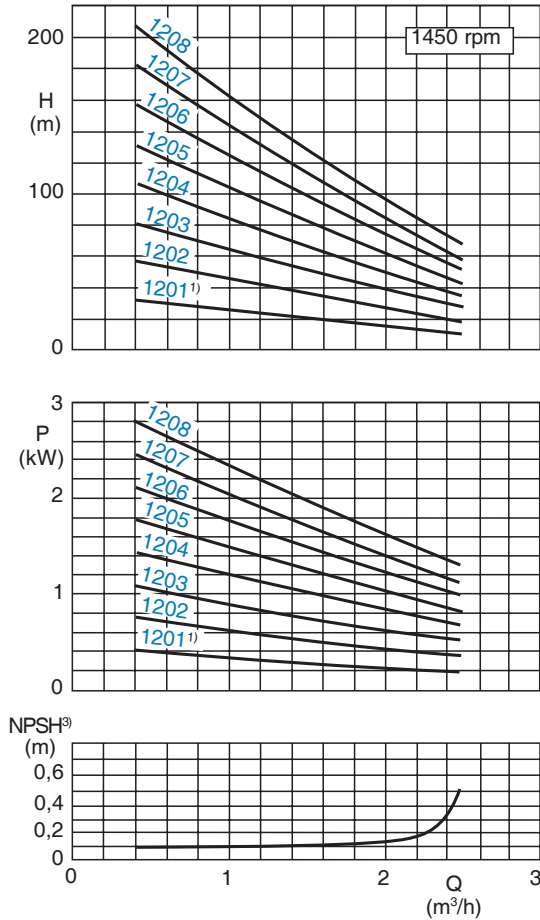
According to ISO 5198



The NPSH curve is suitable for liquids without gas. When using a liquid containing gas (e.g. water 20 °C) a safety margin of 1 m has to be added.

Dimension chart, Pump set drawing and Performance curves

CEH 1200 and CEHA 1200/5



General: Values are valid for water $\rho = 1 \text{ kg/dm}^3$ and $\nu = 1 \text{ cSt}$.

Design tolerances: Capacity $\pm 5\%$ - Delivery head $\pm 5\%$ - Power $+ 10\%$.
For designs with a mechanical seal or casing seal of soft Teflon, the tolerance for the delivery head is extended by 2% each.

* Dimensions depend upon the motor brand.

¹⁾ Not for design CEH /5.

²⁾ For EExe II T3 motors.

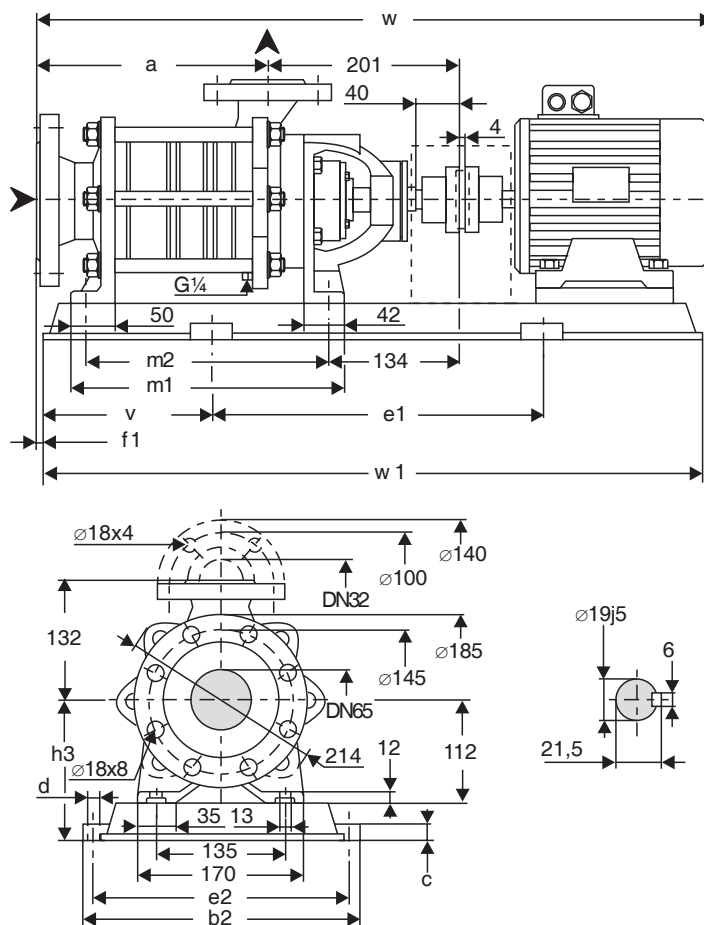
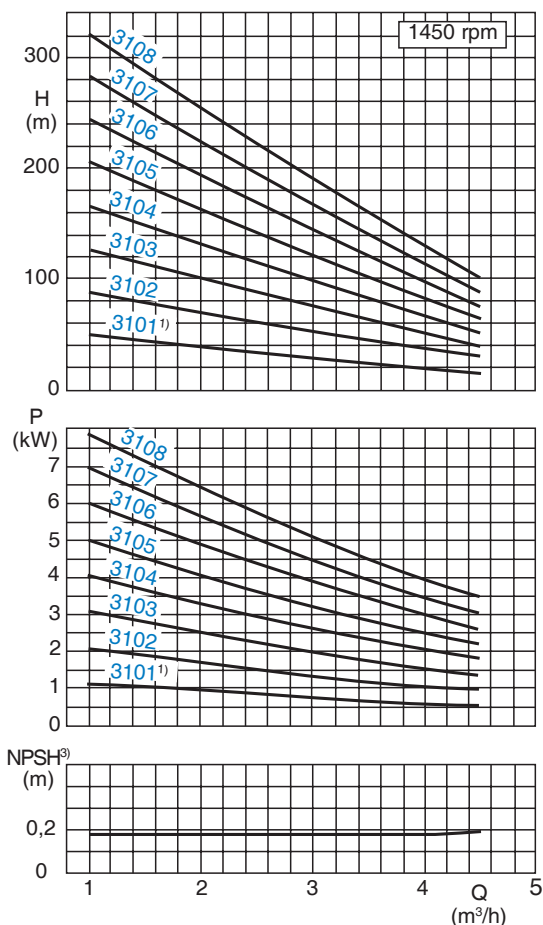
³⁾ A safety margin of 1 m has to be added when using a liquid containing gas.

Pump size	kW	Motor kW ²⁾	Motor size	Base plate	Coupling B	BDS ²⁾	Weight pump set	a	b2	c	d	e1	e2	v	f1	h3	m1	m2	w*	w1										
1201	0.37	1)	71	P007	68	1)	39	195	317	20	15	350	285	110	-9	135	238	204	609	570										
	0.55		80	P008			45														297	400	265	120	140	238	643	640		
1202	0.55	0.55	80	P008	68	76	20	229	297	20	15	400	265	120	-9	140	272	238	677	640										
	0.75	0.75	80																		44	330	25	19	480	290	125	165	735	730
	1.1	1	90S																		56	300	25	19	420	260	115	711	650	
1203	0.75	0.75	80	P241	68	76	22	263	330	25	19	480	290	125	-9	165	306	272	769	730										
	1.1	1	90S																		60	330	25	19	480	290	125	769	730	
	1.5	1.35	90L																		62	330	25	19	480	290	125	769	730	
1204	1.1	1	90S	P241	68	76	24	297	330	25	19	480	290	125	-9	165	340	306	803	730										
	1.5	1.35	90L																		64	360	25	19	540	320	140	844	820	
	2.2	2	100L																		75	360	25	19	540	320	140	844	820	
1205	1.1	1	90S	P272	68	76	26	331	360	25	19	540	320	140	-9	165	374	340	837	820										
	1.5	1.35	90L																		70	360	25	19	540	320	140	878	820	
	2.2	2	100L																		77	360	25	19	540	320	140	878	820	
1206	1.5	1.35	90L	P272	68	76	28	365	361	25	15	600	325	160	-9	150	408	374	912	920										
	2.2	2	100L																		84	361	25	15	600	325	160	912	920	
	3	2.5	100L																		85	361	25	15	600	325	160	912	920	
1207	1.5	1.35	90L	P015	68	76	30	399	361	25	15	600	325	160	-9	150	442	408	905	920										
	2.2	2	100L																		86	361	25	15	600	325	160	946	920	
	3	2.5	100L																		87	361	25	15	600	325	160	946	920	
1208	2.2	2	100L	P015	80	88	32	433	361	25	15	600	325	160	-9	150	476	442	980	920										
	3	2.5	100L																		88	361	25	15	600	325	160	980	920	

The weight of the pump will be approximately 6% higher when using Stainless steel.

Dimension chart, Pump set drawing and Performance curves

CEH 3100 and CEHA 3100/5



General:

Values are valid for water $\rho = 1 \text{ kg/dm}^3$ and $\nu = 1 \text{ cSt}$.

* Dimensions depend upon the motor brand.

Design tolerances:

Capacity $\pm 5\%$ - Delivery head $\pm 5\%$ - Power $+ 10\%$.
For designs with a mechanical seal or casing seal of soft Teflon, the tolerance for the delivery head is extended by 2% each.

¹⁾ Not for design CEH /5.

²⁾ For EExe II T3 motors.

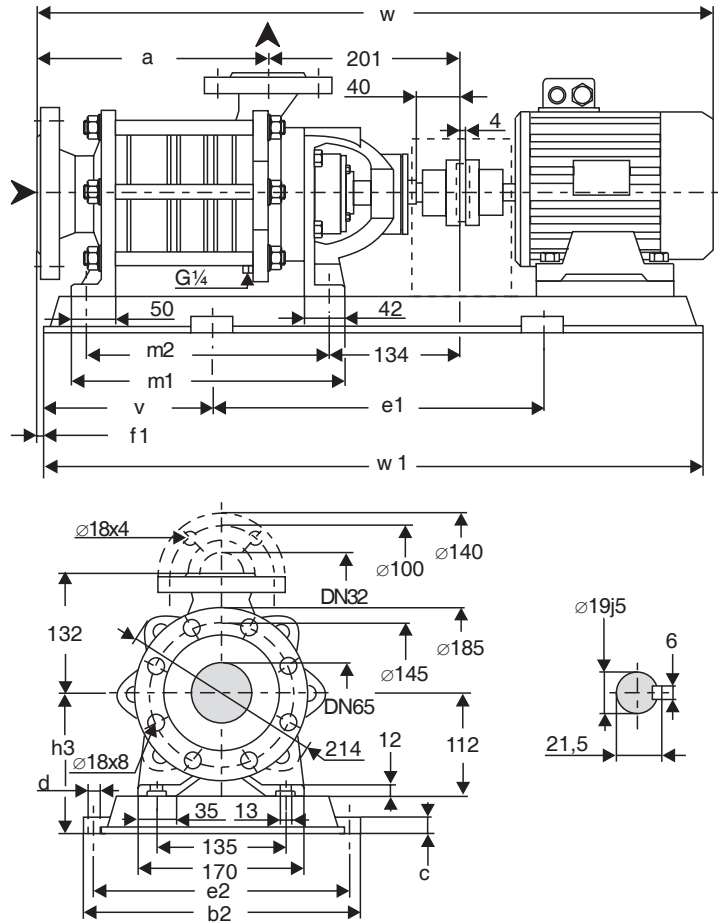
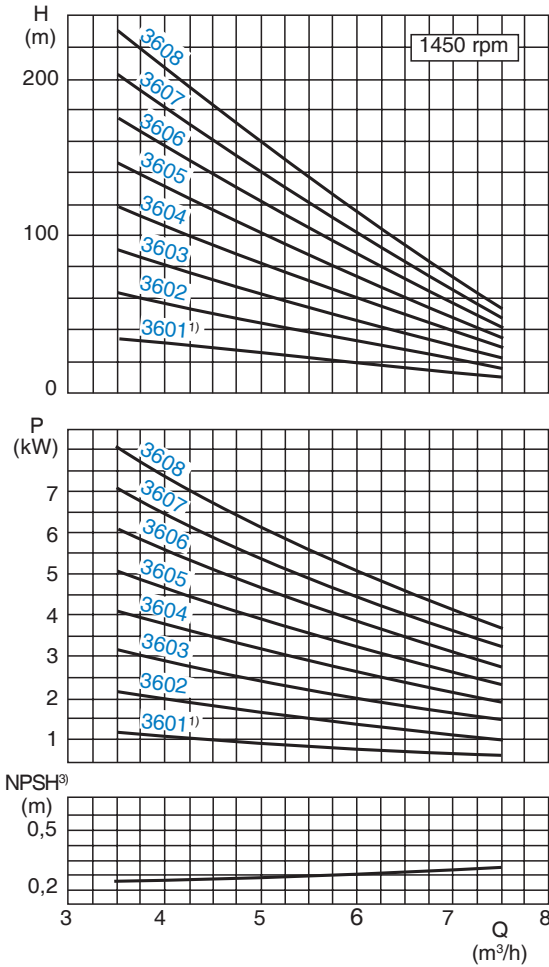
³⁾ A safety margin of 1 m has to be added when using a liquid containing gas.

Pump size	kW	Motor kW ²⁾	size	Base plate	Coupling B	BDS ²⁾	Weight pump	set	a	b2	c	d	e1	e2	v	f1	h3	m1	m2	w*	w1						
3101	0.75	1)	80	P008	68	1)	31	60	213	297	20	15	400	265	120	-13	152	261	227	691	640						
	1.1		90S	P241				67														330	25	19	480	290	125
3102	1.1	1	90S	P241	68	76	34	72	253	330	25	19	480	290	125	-13	177	301	267	789	730						
	1.5	1.35	90L					74														360	540	320	140	830	820
3103	2.2	2	100L	P272	80	88	38	81	293	360	25	19	540	320	140	-13	177	341	307	870	820						
	3	2.5	100L					89														90	540	320	140	870	820
3104	2.2	2	100L	P272	80	88	42	93	333	360	25	19	540	320	140	-13	177	381	347	910	820						
	3	2.5	100L					94														361	600	325	160	931	920
	4	3.6	112M					P015														117	600	325	160	162	931
3105	3	2.5	100L	P015	80	88	42	102	373	361	25	15	600	325	160	-13	162	421	387	950	920						
	4	3.6	112M					120														700	200	192	1011	920	
	5.5	5	132S					P017														158	700	200	192	1047	1100
3106	4	3.6	112M	P015	80	88	45	123	413	361	25	15	600	325	200	-13	162	461	427	1087	1100						
	5.5	5	132S					161														700	200	192	1087	1100	
	7.5	6.8	132M					171														700	200	192	1113	1100	
3107	4	3.6	112M	P017	80	88	52	143	453	361	25	15	700	325	200	-13	172	501	467	1051	1100						
	5.5	5	132S					165														700	200	192	1127	1100	
	7.5	6.8	132M					205														700	200	192	1153	1100	
3108	4	3.6	112M	P017	95	103	55	198	493	361	25	15	700	325	200	-13	192	541	507	1167	1100						
	7.5	6.8	132M					208														700	200	192	1193	1100	
	11	10	160M					P436														208	840	215	240	1285	1270

The weight of the pump will be approximately 6% higher when using Stainless steel.

Dimension chart, Pump set drawing and Performance curves

CEH 3600 and CEHA 3600/5



General: Values are valid for water $\rho = 1 \text{ kg/dm}^3$ and $\nu = 1 \text{ cSt}$.

Design tolerances: Capacity $\pm 5\%$ - Delivery head $\pm 5\%$ - Power + 10%.
For designs with a mechanical seal or casing seal of soft Teflon, the tolerance for the delivery head is extended by 2% each.

* Dimensions depend upon the motor brand.

¹⁾ Not for design CEH /5.

²⁾ For EExe II T3 motors.

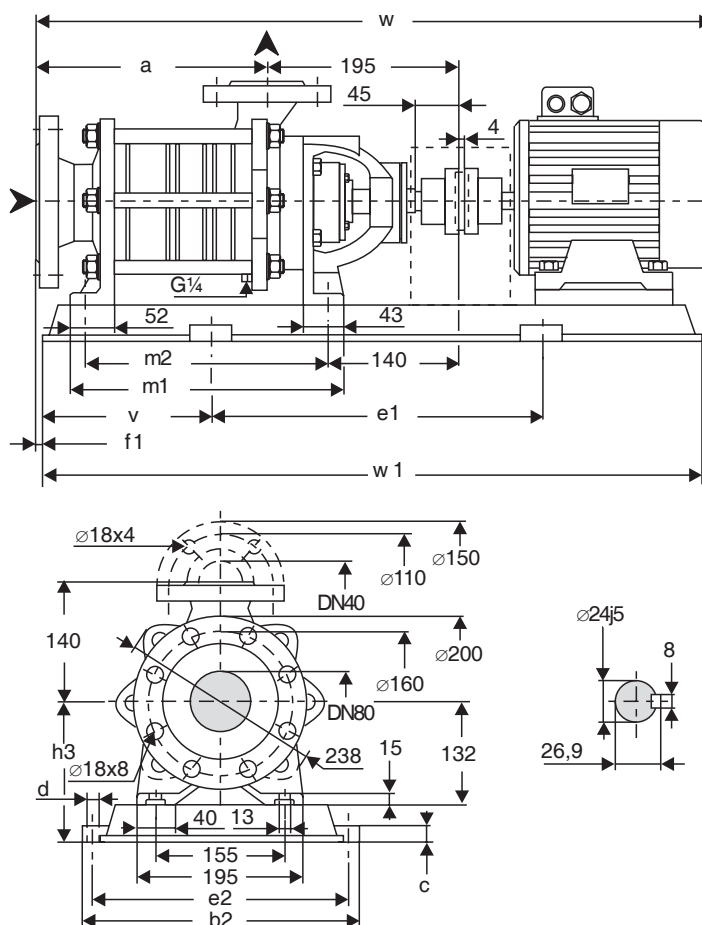
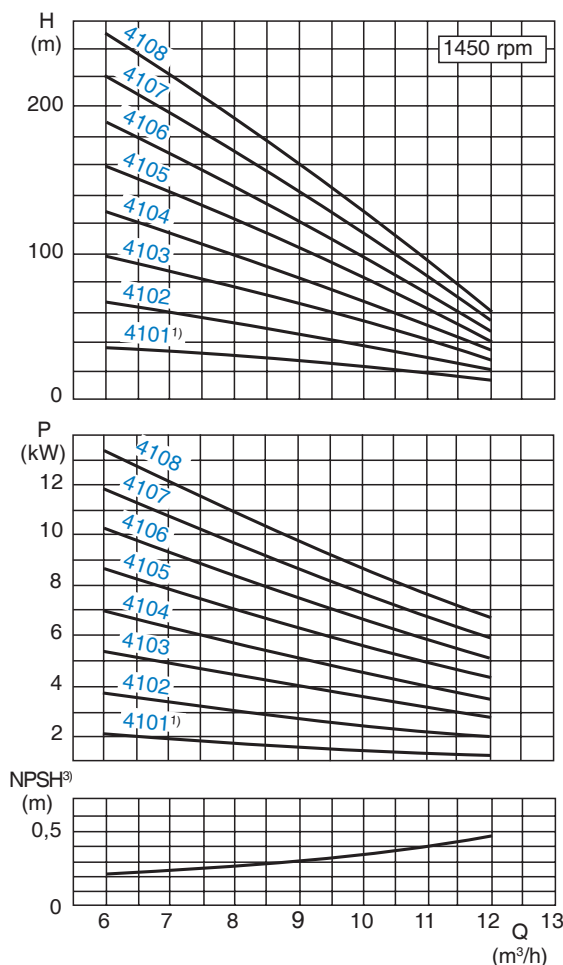
³⁾ A safety margin of 1 m has to be added when using a liquid containing gas.

Pump size	kW	Motor kW ²⁾	Motor size	Base plate	Coupling B		BDS ²⁾	Weight pump	Weight set	a	b2	c	d	e1	e2	v	f1	h3	m1	m2	w*	w1							
					B	BDS																							
3601	0.75	1)	80	P008	68	76	1)	31	55	213	297	20	15	400	265	120	-13	152	261	227	691	640							
	1.1		90S	67																	330	25	19	480	290	125	177	749	730
	1.5		90L	74																	360	25	19	540	320	140	177	830	820
3602	1.5	1.35	90L	P241	80	88	34	74	253	330	25	19	480	290	125	-13	177	301	267	789	730								
	2.2	2	100L	P272	89	89														89	360	25	19	540	320	140	177	341	307
3603	2.2	2	100L	P272	80	88	38	89	293	360	25	19	540	320	140	-13	177	341	307	870	820								
	3	2.5	100L																	101	360	19	540	320	140	177	891	820	
	4	3.6	112M																	119	361	25	15	600	325	160	177	910	820
3604	3	2.5	100L	P272	80	88	42	105	333	361	25	15	600	325	160	-13	162	381	347	931	920								
	4	3.6	112M	117																361	25	15	600	325	160	162	931	920	
	5.5	5	132S	P015																152	361	25	15	600	325	160	162	1007	920
3605	3	2.5	100L	P015	80	88	45	102	373	361	25	15	600	325	160	-13	162	421	387	950	920								
	4	3.6	112M																	120	361	25	15	600	325	160	162	971	920
	5.5	5	132S																	P017	171	361	25	15	700	325	200	192	1047
3606	4	3.6	112M	P015	80	88	48	123	413	361	25	15	700	325	200	-13	192	461	427	1011	920								
	5.5	5	132S	P017																161	361	25	15	700	325	200	192	1087	1100
	7.5	6.8	132M	171																361	25	15	700	325	200	192	1113	1100	
3607	5.5	5	132S	P017	95	103	52	165	453	361	25	15	700	325	200	-13	192	501	467	1127	1100								
	7.5	6.8	132M																	168	361	25	15	700	325	200	192	1153	1100
3608	5.5	5	132S	P017	95	103	55	161	493	361	25	15	700	325	200	-13	192	541	507	1167	1100								
	7.5	6.8	132M																	171	361	25	15	700	325	200	192	1193	1100
	11	10	160M																	P436	254	540	30	24	840	490	215	240	1285

The weight of the pump will be approximately 6% higher when using Stainless steel.

Dimension chart, Pump set drawing and Performance curves

CEH 4100 and CEHA 4100/5



General: Values are valid for water $\rho = 1 \text{ kg/dm}^3$ and $\nu = 1 \text{ cSt}$.

Design tolerances: Capacity $\pm 5\%$ - Delivery head $\pm 5\%$ - Power $+ 10\%$.
For designs with a mechanical seal or casing seal of soft Teflon, the tolerance for the delivery head is extended by 2% each.

* Dimensions depend upon the motor brand.

¹⁾ Not for design CEH /5.

²⁾ For EExe II T3 motors.

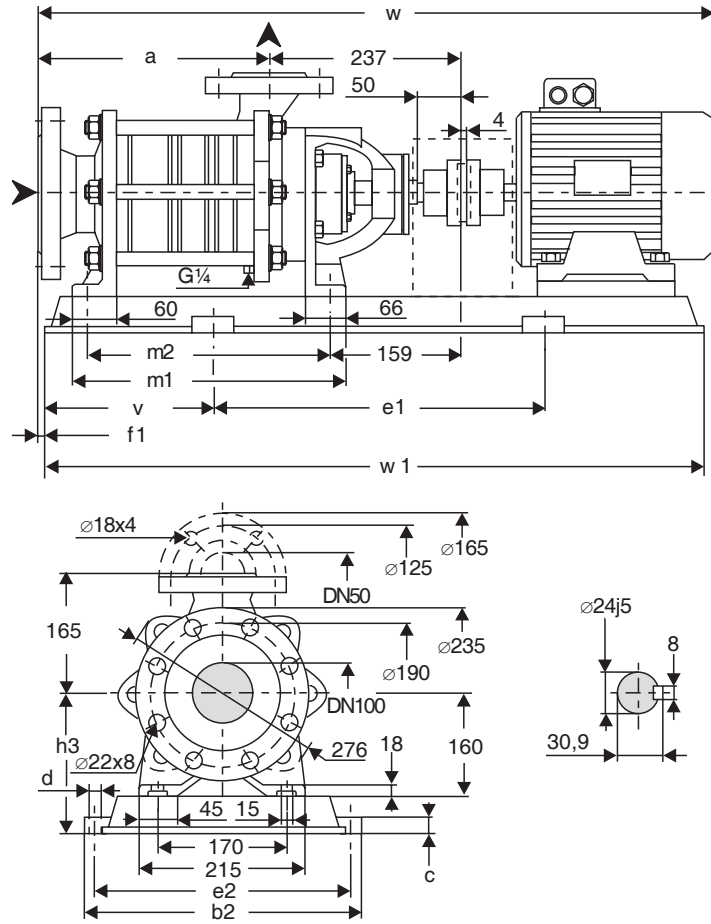
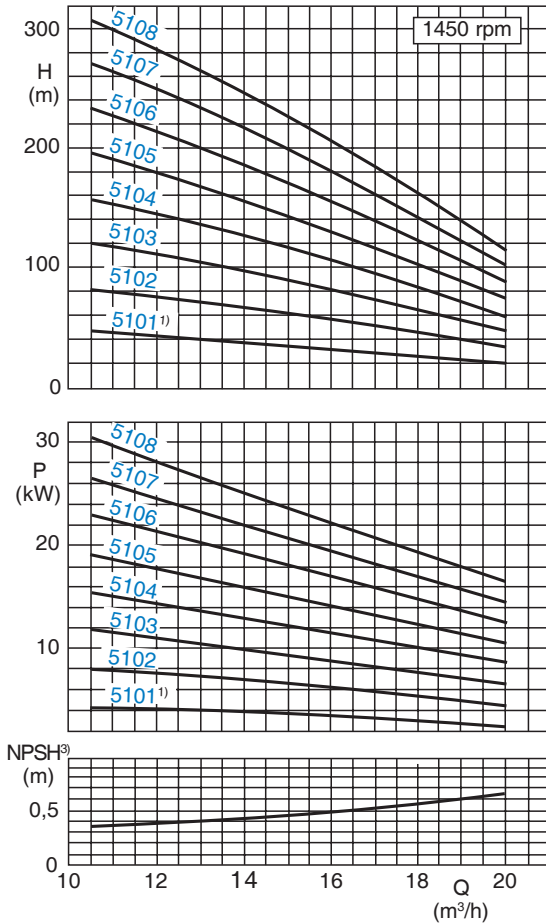
³⁾ A safety margin of 1 m has to be added when using a liquid containing gas.

Pump size	kW	Motor kW ²⁾	size	Base plate	Coupling B	BDS ²⁾	Weight pump	set	a	b2	c	d	e1	e2	v	f1	h3	m1	m2	w*	w1							
4101	1.5	1)	90L	P241	68	1)	41	81	268	330	25	19	480	290	125	-23	197	294	260	798	730							
	2.2		100L	P272	80			95												360	839	820						
4102	3	2.5	100L	P272	80	88	47	110	323	360	25	19	540	320	140	-23	197	349	315	894	820							
	4	3.6	112M					128												915								
4103	4	3.6	112M	P015	80	88	53	128	378	361	25	15	600	325	160	-23	182	404	370	970	920							
	5.5	5	132S	P017	95	103		179												700		200	192	1046	1100			
4104	5.5	5	132S	P017	95	103	59	172	433	361	25	15	700	325	200	-23	192	459	425	1101	1100							
	7.5	6.8	132M					182												1127								
4105	5.5	5	132S	P017	95	103	65	178	488	361	25	15	700	325	200	-23	192	514	480	1156	1100							
	7.5	6.8	132M					181												1182								
	11	10	160M					P385												264		490	30	24	740	440	240	1274
4106	7.5	6.8	132M	P385	95	103	70	196	543	490	30	24	740	440	200	-23	212	569	535	1237	1140							
	11	10	160M	P436				269												540		840	490	215	240	1329	1270	
4107	7.5	6.8	132M	P436	95	103	76	202	598	540	30	24	840	490	215	-23	212	624	590	1292	1270							
	11	10	160M					275												610		35	28	940	550	240	1384	1446
	15	13.5	160L					P487												349		610	35	28	940	550	240	1446
4108	11	10	160M	P487	95	103	82	281	653	610	35	28	940	550	240	-23	260	679	645	1439	1420							
	15	13.5	160L					355												1501								

The weight of the pump will be approximately 6% higher when using Stainless steel.

Dimension chart, Pump set drawing and Performance curves

CEH 5100 and CEHA 5100/5



General: Values are valid for water $\rho = 1 \text{ kg/dm}^3$ and $\nu = 1 \text{ cSt}$.

Design tolerances: Capacity $\pm 5\%$ - Delivery head $\pm 5\%$ - Power $+ 10\%$.
For designs with a mechanical seal or casing seal of soft Teflon, the tolerance for the delivery head is extended by 2% each.

* Dimensions depend upon the motor brand.

1) Not for design CEH /5.

2) For EExe II T3 motors.

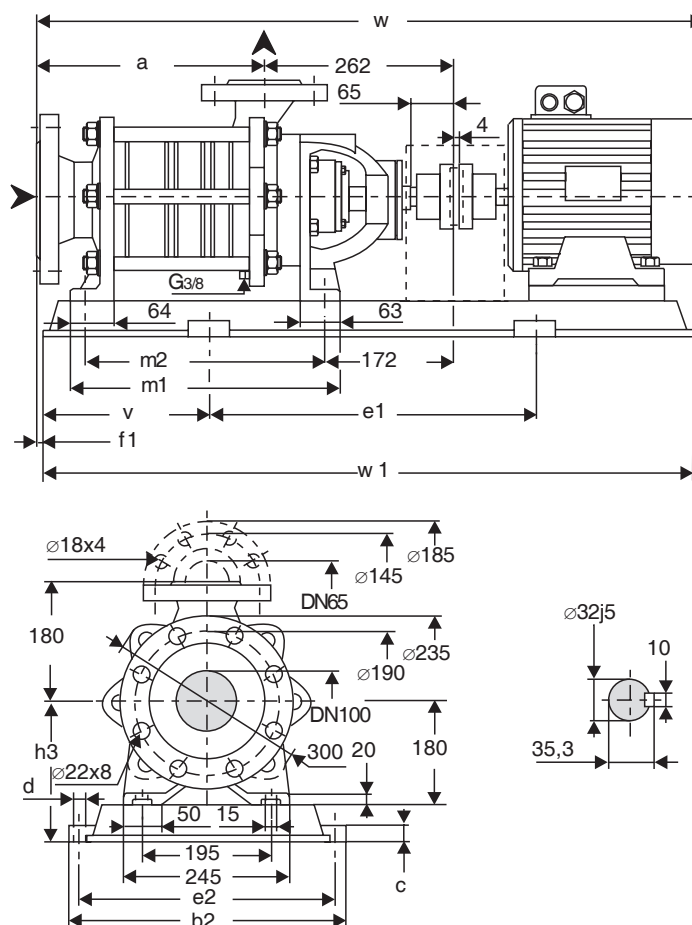
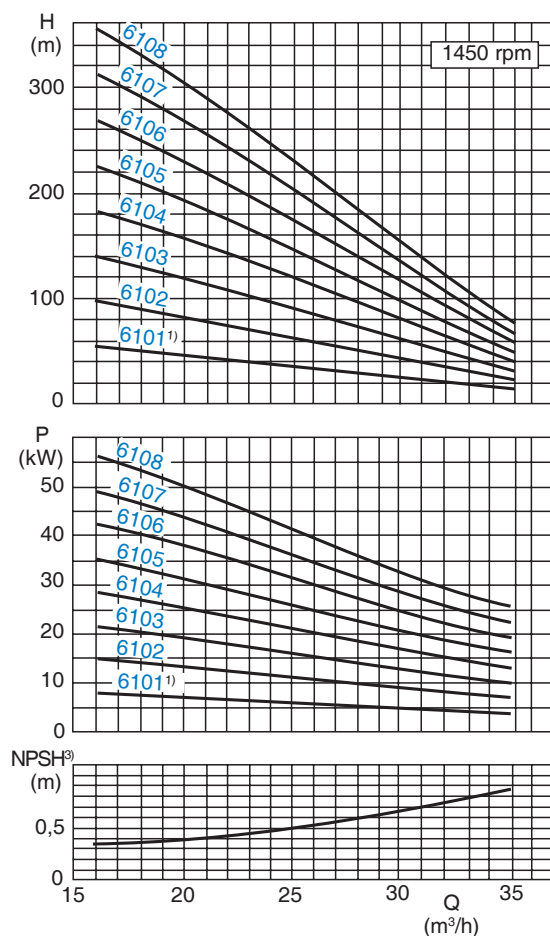
3) A safety margin of 1 m has to be added when using a liquid containing gas.

Pump size	Motor		Base plate	Coupling B		Weight pump	Weight set	a	b2	c	d	e1	e2	v	f1	h3	m1	m2	w*	w1					
	kW	Motor kW ²⁾		size	BDS ²⁾																BDS ²⁾				
5101	3	1)	100L	P272	80	1)	123	305	360	25	19	540	320	140	-28	225	353	315	918	820					
	4		112M	P015	95		162		361							15			600		325	160	210	939	
	5.5		132S				170																1015		
5102	5.5	6.8	132S	P017	95	103	183	380	361	25	15	700	325	200	-28	220	428	390	1090	1100					
	7.5	6.8	132M				193									490			30		24	740	440	240	1116
	11	10	160M				269									540			30		24	840	490	215	1208
5103	7.5	6.8	132M	P017	95	103	196	455	361	25	15	700	325	200	-28	220	503	465	1191	1100					
	11	10	160M	279			490									30			24		740	440	240	1283	
	15	13.5	160L	353			540									30			24		840	490	215	1345	
5104	11	10	160M	P436	95	103	289	530	540	30	24	840	490	215	-28	240	578	540	1358	1270					
	15	13.5	160L		110	118	363									260			1495						
5105	15	13.5	160L	P487	110	118	374	605	610	35	28	940	550	240	-28	260	653	615	1495	1420					
	18.5	15	180M				395									280			728		690	1632			
	22	17.5	180L				415									300			1690						
5106	15	13.5	160L	P487	110	118	384	680	610	35	28	940	550	240	-28	260	728	690	1570	1420					
	18.5	15	180M	423			280									1632									
	22	17.5	180L	425			300									1690									
5107	30	24	200L	P538	125	135	506	755	660	35	28	1060	600	280	-28	280	803	765	1707	1620					
	18.5	15	180M				415									280			1765						
	22	17.5	180L				435									300									
5108	22	17.5	180L	P538	125	135	446	830	660	35	28	1060	600	280	-28	280	878	840	1782	1620					
	30	24	200L	S389			527									540			40		1200	490	300	300	1840

The weight of the pump will be approximately 6% higher when using Stainless steel.

Dimension chart, Pump set drawing and Performance curves

CEH 6100 and CEHA 6100/5



General: Values are valid for water $\rho = 1 \text{ kg/dm}^3$ and $\nu = 1 \text{ cSt}$.

Design tolerances: Capacity $\pm 5\%$ - Delivery head $\pm 5\%$ - Power $+ 10\%$.
For designs with a mechanical seal or casing seal of soft Teflon, the tolerance for the delivery head is extended by 2% each.

* Dimensions depend upon the motor brand.

1) Not for design CEH/5.

2) For EExe II T3 motors.

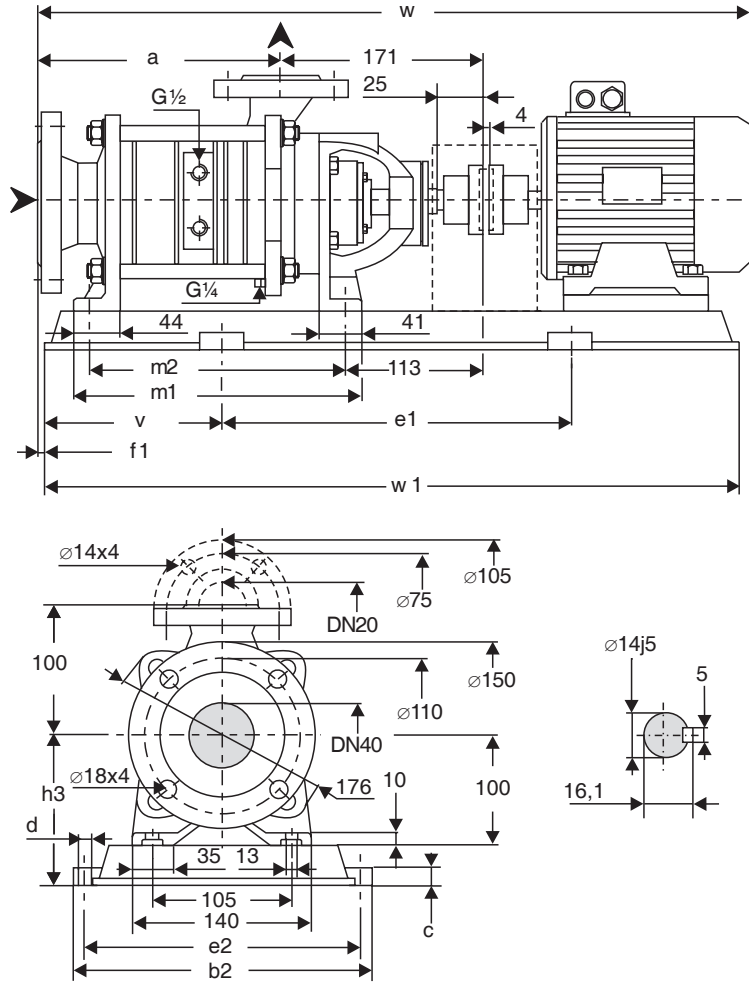
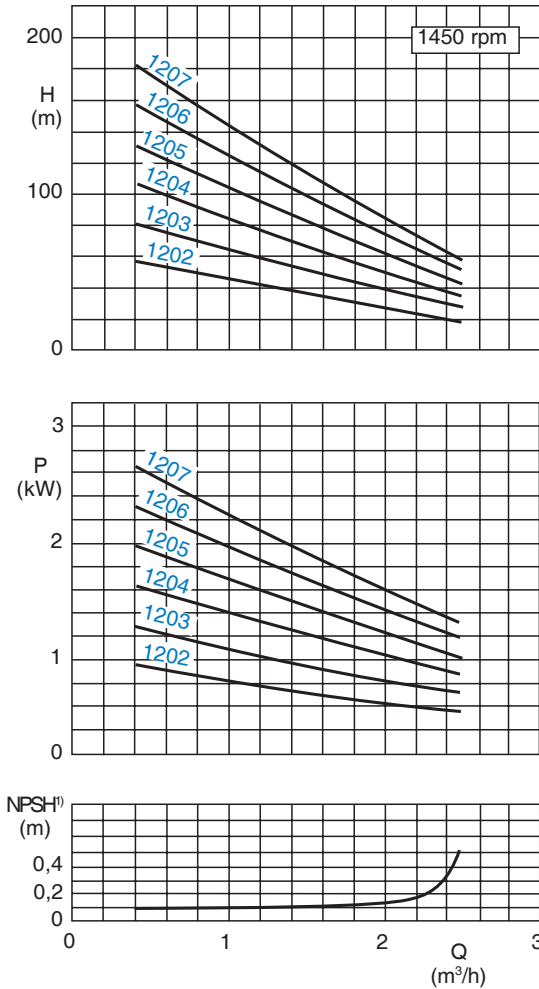
3) A safety margin of 1 m has to be added when using a liquid containing gas.

Pump size	kW	Motor kW ²⁾	size	Base plate	Coupling B		Weight pump set		a	b2	c	d	e1	e2	v	f1	h3	m1	m2	w*	w1										
					BDS	BDS ²⁾																									
6101	5.5	1)	132S	P017	95	1)	80	206	338	361	25	15	700	325	200	-35	240	391	353	1073	1100										
	7.5		216					1099																							
6102	11	10	160M	P385	95	103	92	291	428	490	30	24	740	440	200	-35	260	481	443	1281	1140										
	15		365					540												1343											
6103	18.5	15	180M	P487	110	118	105	404	518	610	35	28	940	550	240	-35	280	571	533	1495	1420										
	22		419																												
6104	22	17.5	180L	P487	125	135	117	431	608	610	35	28	940	550	240	-35	280	661	623	1585	1420										
	30		512					660												1643											
6105	30	24	200L	P538	125	135	130	525	698	660	35	28	1060	600	280	-35	300	751	713	1733	1620										
	37		594					325												1798											
6106	30	24	200L	P538	125	135	142	537	788	660	35	28	1060	600	280	-35	300	841	803	1823	1620										
	37		606					730												40		28	1200	670	310	-35	325	841	803	1888	1820
	45		670																												
6107	30	24	200L	S389	125	135	155	550	878	540	40	28	1200	490	300	-35	300	931	893	1913	1800										
	37		619					730												40		28	1200	670	310	-35	325	931	893	1978	1820
	45		683																												
6108	37	30	225S	14211	140	152	167	532	968	740	40	28	1300	690	350	-35	345	1021	983	2003	2000										
	45		630					2003												2080											
	55		701																			2125	2100								

The weight of the pump will be approximately 6% higher when using Stainless steel.

Dimension chart, Pump set drawing and Performance curves

CEHA 1200/7 (with retaining stage)



General: Values are valid for water $\rho = 1 \text{ kg/dm}^3$ and $\nu = 1 \text{ cSt}$.

Design tolerances: Capacity $\pm 5\%$ - Delivery head $\pm 5\%$ - Power $+ 10\%$.
For designs with a mechanical seal or casing seal of soft Teflon, the tolerance for the delivery head is extended by 2% each.

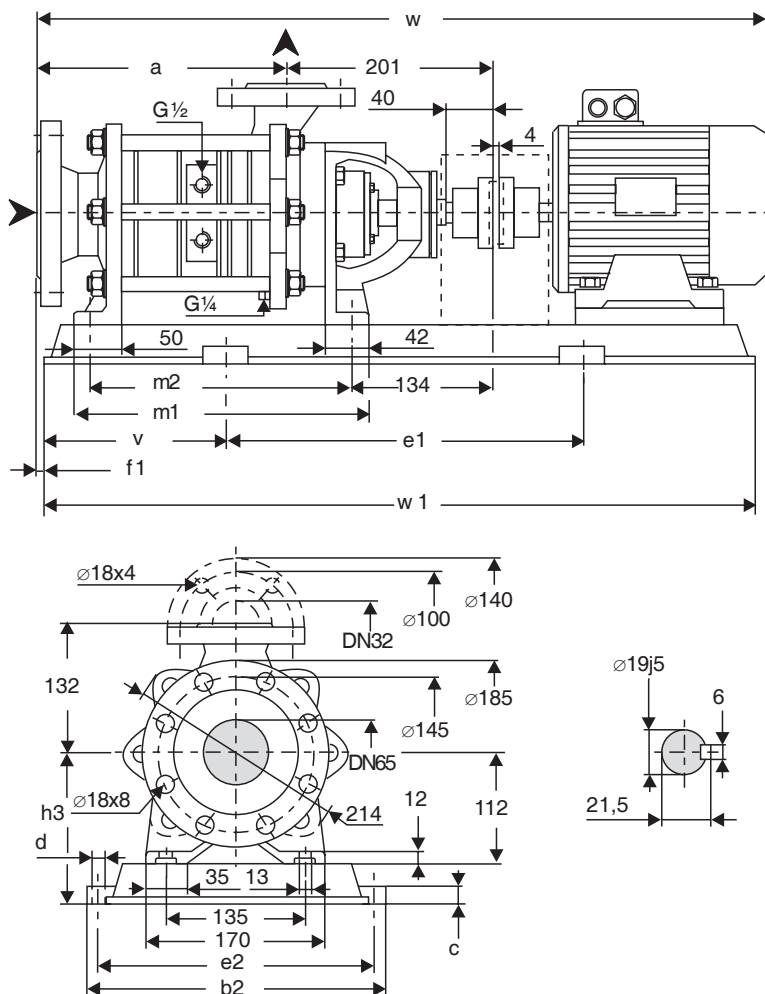
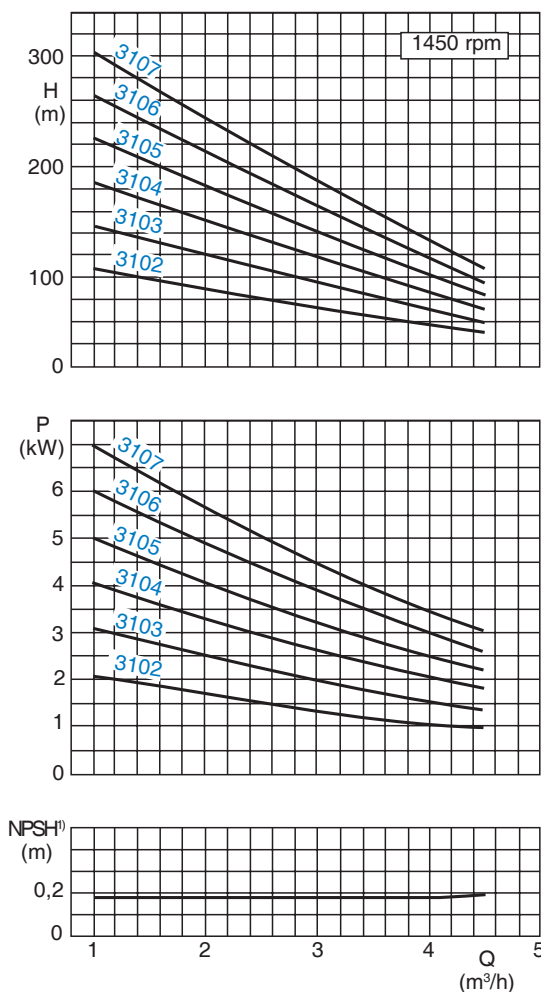
Pump size	Motor		Base plate	Coupling	Weight		a	b2	c	d	e1	e2	v	f1	h3	m1	m2	w*	w1
	kW	size			pump	set													
1202/7	0.55	80	P210	BDS76	22	52	263	300	25	19	420	260	115	-9	165	306	272	709	650
	0.75	80				53													
1203/7	0.75	80	P241	BDS76	24	54	297	330	25	19	480	290	125	-9	165	340	306	743	730
	1.1	90S				64												796	
1204/7	1.1	90S	P272	BDS76	26	70	331	360	25	19	540	320	140	-9	165	374	340	830	820
	1.5	90L				71													
1205/7	1.5	90L	P272	BDS76	28	73	365	360	25	19	540	320	140	-9	165	408	374	864	820
	2	100L	P015	BDS88		84												361	
1206/7	1.5	90L	P015	BDS76	30	69	399	361	25	15	600	325	160	-9	150	442	408	898	920
	2	100L		BDS88		86												956	
1207/7	1.5	90L	P015	BDS76	32	71	433	361	25	15	600	325	160	-9	150	476	442	932	920
	2	100L		BDS88		91												990	

¹⁾ A safety margin of 1 m has to be added when using a liquid containing gas.

* Dimensions depend upon the motor brand.

Dimension chart, Pump set drawing and Performance curves

CEHA 3100/7 (with retaining stage)



General: Values are valid for water $\rho = 1 \text{ kg/dm}^3$ and $\nu = 1 \text{ cSt}$.

Design tolerances: Capacity $\pm 5\%$ - Delivery head $\pm 5\%$ - Power $+ 10\%$.
For designs with a mechanical seal or casing seal of soft Teflon, the tolerance for the delivery head is extended by 2% each.

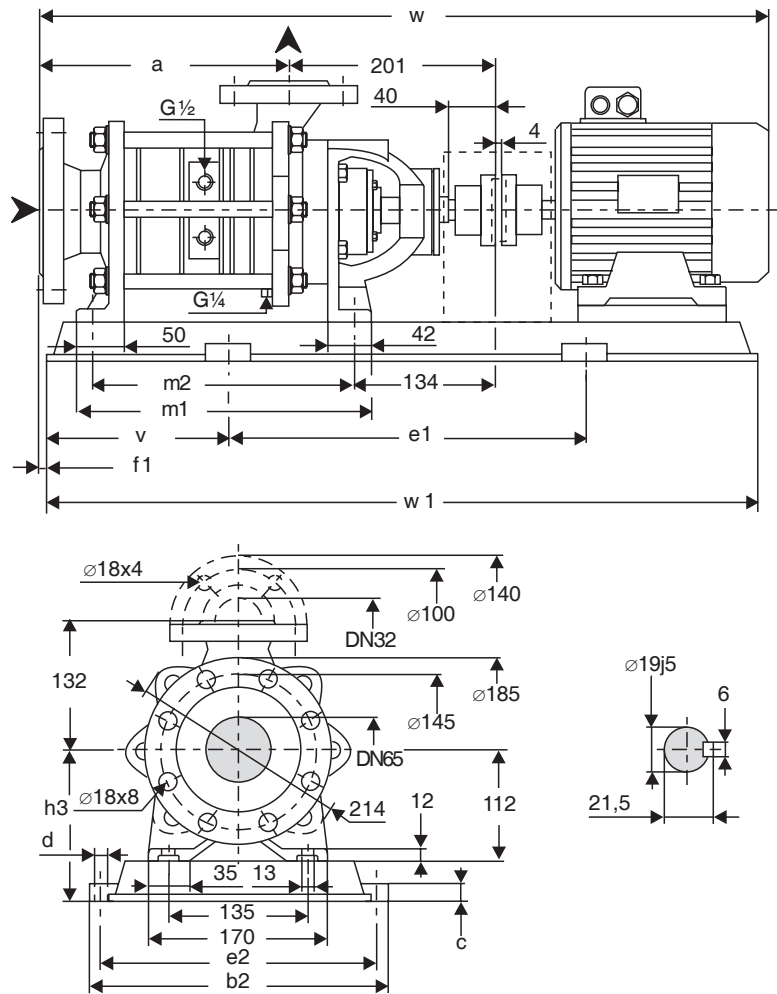
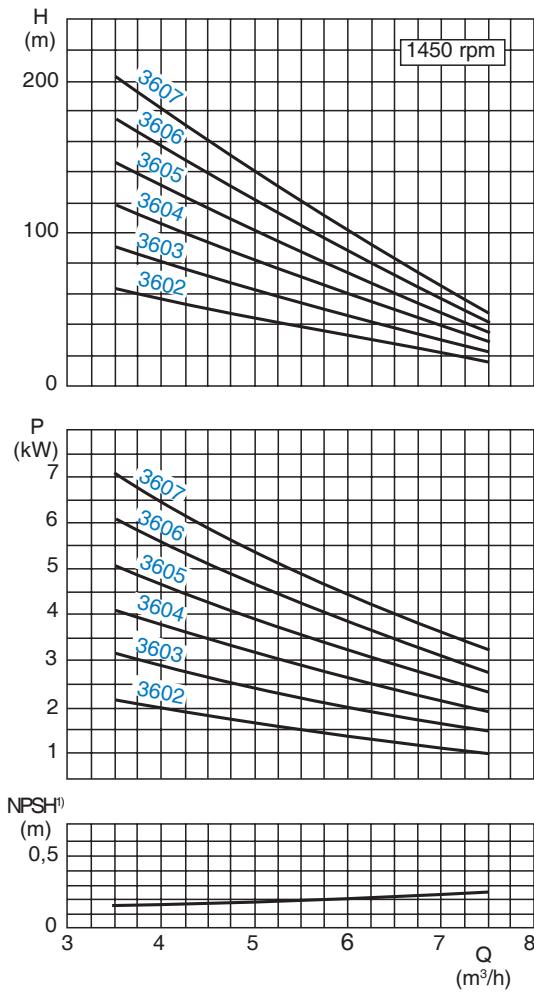
Pump size	Motor size		Base plate	Coupling	Weight pump set	a	b2	c	d	e1	e2	v	f1	h3	m1	m2	w*	w1	
	kW	size																	
3102/7	1.5	90L	P272	BDS76 BDS88	38	87 100	293	360	25	19	540	320	140	-13	177	341	307	822	820
	2	100L																880	
3103/7	2	100L	P272	BDS88	42	104 106	333	360	25	19	540	320	140	-13	177	381	347	920	820
	2.5	100L																920	
3104/7	2.5	100L	P015	BDS88	45	101 107	373	361	25	15	600	325	160	-13	162	421	387	960	920
	3.6	112M																966	
3105/7	2.5	100L	P015	BDS88	48	107 110	413	361	25	15	600	325	160	-13	162	461	427	1000	920
	3.6	112M																1006	
3106/7	3.6	112M	P017	BDS88 BDS103	52	117 151	453	361	25	15	700	325	200	-13	172	501	467	1046	1100
	5	132S													192			1142	
3107/7	3.6	112M	P017	BDS88 BDS103	55	120 154	493	361	25	15	700	325	200	-13	172	541	507	1086	1100
	5	132S													192			1182	

¹⁾ A safety margin of 1 m has to be added when using a liquid containing gas.

* Dimensions depend upon the motor brand.

Dimension chart, Pump set drawing and Performance curves

CEHA 3600/7 (with retaining stage)



General: Values are valid for water $\rho = 1 \text{ kg/dm}^3$ and $\nu = 1 \text{ cSt}$.

Design tolerances: Capacity $\pm 5\%$ - Delivery head $\pm 5\%$ - Power $+ 10\%$.
For designs with a mechanical seal or casing seal of soft Teflon, the tolerance for the delivery head is extended by 2% each.

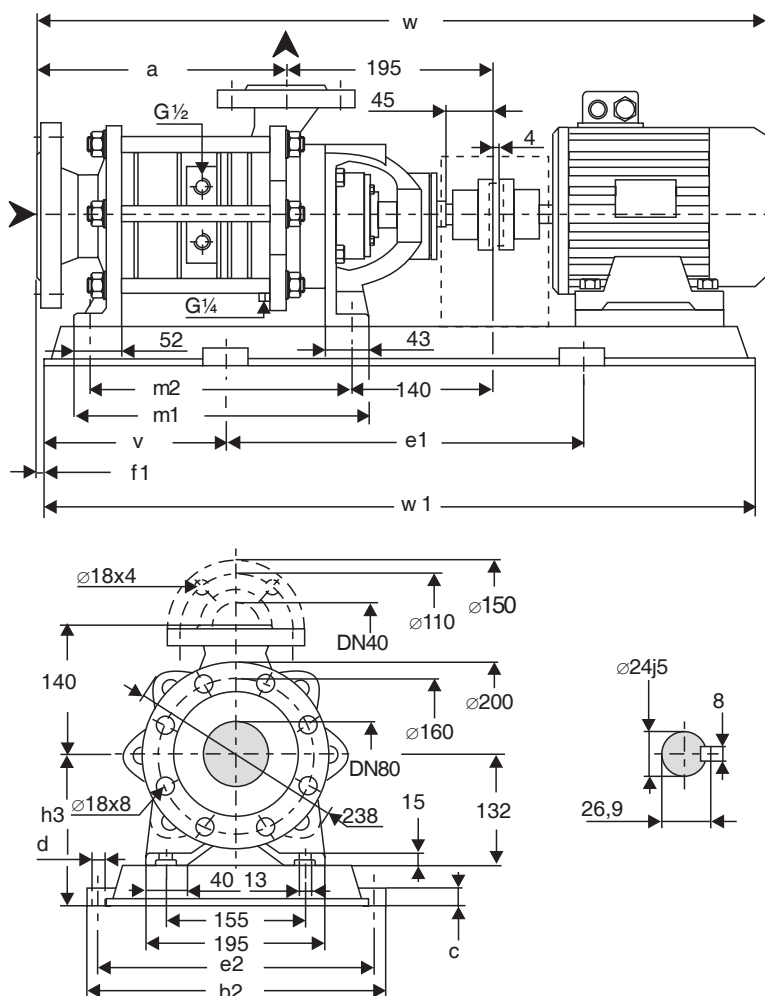
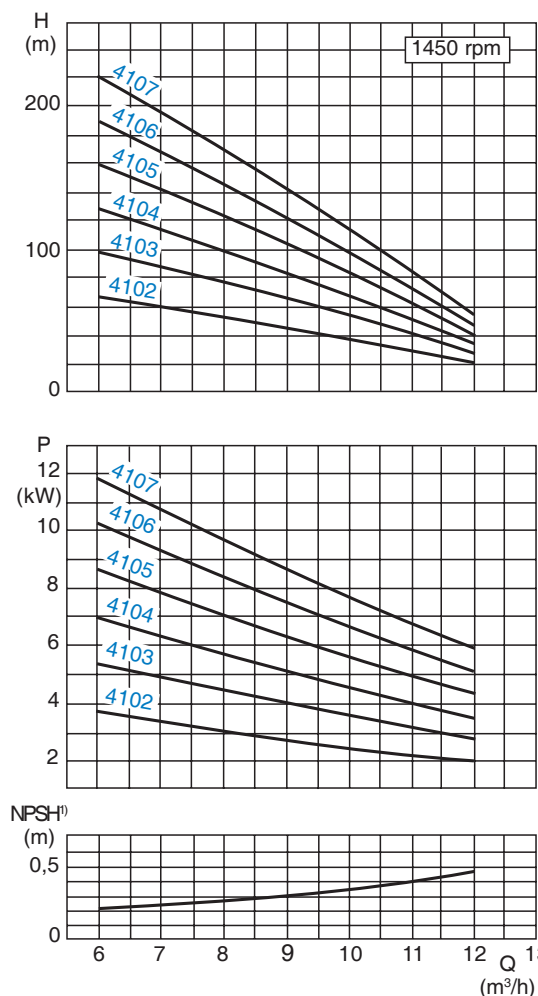
Pump size	Motor kW	Motor size	Base plate	Coupling	Weight pump set	a	b2	c	d	e1	e2	v	f1	h3	m1	m2	w*	w1
3602/7	1.5	90L	P272	BDS76	38	293	360	25	19	540	320	140	-13	177	341	307	822	820
	2	100L		BDS88													100	
3603/7	2	100L	P272	BDS88	42	333	360	25	19	540	320	140	-13	177	381	347	920	820
	2.5	100L															106	
3604/7	2.5	100L	P015	BDS88	45	373	361	25	15	600	325	160	-13	162	421	387	960	920
	3.6	112M															107	
3605/7	2.5	100L	P015	BDS88	48	413	361	25	15	600	325	160	-13	162	461	427	1000	920
	3.6	112M															110	
3606/7	3.6	112M	P017	BDS88	52	453	361	25	15	700	325	200	-13	172	501	467	1046	1100
	5	132S		BDS103										192			1142	
3607/7	3.6	112M	P017	BDS88	55	493	361	25	15	700	325	200	-13	172	541	507	1086	1100
	5	132S		BDS103										192			1182	

¹) A safety margin of 1 m has to be added when using a liquid containing gas.

* Dimensions depend upon the motor brand.

Dimension chart, Pump set drawing and Performance curves

CEHA 4100/7 (with retaining stage)



General: Values are valid for water $\rho = 1 \text{ kg/dm}^3$ and $\nu = 1 \text{ cSt}$.

Design tolerances: Capacity $\pm 5\%$ - Delivery head $\pm 5\%$ - Power $+ 10\%$.
For designs with a mechanical seal or casing seal of soft Teflon, the tolerance for the delivery head is extended by 2% each.

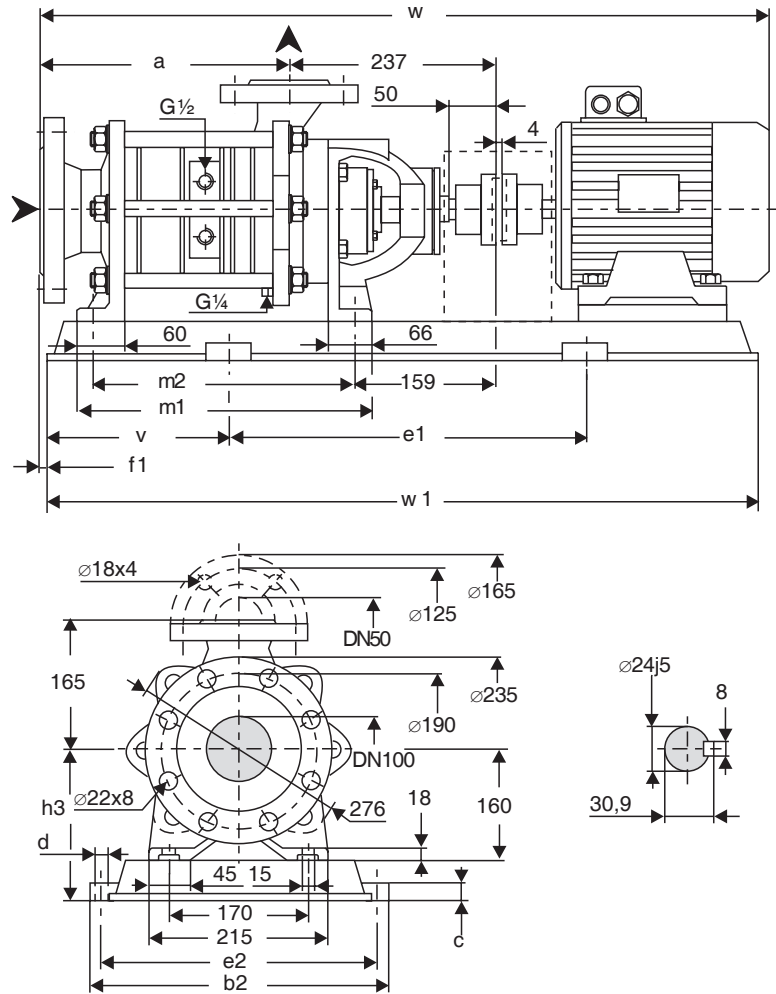
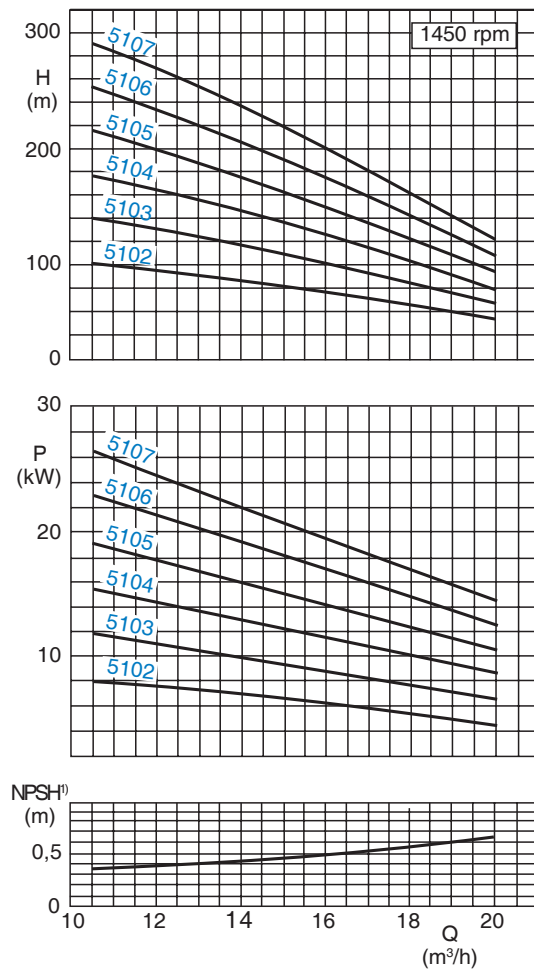
Pump size	Motor		Base plate	Coupling	Weight		a	b2	c	d	e1	e2	v	f1	h3	m1	m2	w*	w1
	kW	size			pump	set													
4102/7	2.5	100L	P015	BDS88	53	112	378	361	25	15	600	325	160	-23	182	404	370	959	920
	3.6	112M				115												965	
4103/7	3.6	112M	P015	BDS88	59	121	433	361	25	15	600	325	160	-23	182	459	425	1020	920
	5	132S	P017	BDS103		158					700							200	
4104/7	3.6	112M	P017	BDS88	65	130	488	361	25	15	700	325	200	-23	192	514	480	1075	1100
	5	132S		BDS103		164												1171	
4105/7	5	132S	P385	BDS103	70	172	543	490	30	24	740	440	200	-23	212	569	535	1226	1140
	6.8	132M				232												1237	
4106/7	6.8	132M	P436	BDS103	76	248	598	540	30	24	840	490	215	-23	212	624	590	1292	1270
	10	160M				278									240			1379	
4107/7	6.8	132M	P436	BDS103	82	254	653	540	30	24	840	490	215	-23	212	679	645	1347	1270
	10	160M				P487									296			260	

¹⁾ A safety margin of 1 m has to be added when using a liquid containing gas.

* Dimensions depend upon the motor brand.

Dimension chart, Pump set drawing and Performance curves

CEHA 5100/7 (with retaining stage)



General: Values are valid for water $\rho = 1 \text{ kg/dm}^3$ and $\nu = 1 \text{ cSt}$.

Design tolerances: Capacity $\pm 5\%$ - Delivery head $\pm 5\%$ - Power $+ 10\%$.
For designs with a mechanical seal or casing seal of soft Teflon, the tolerance for the delivery head is extended by 2% each.

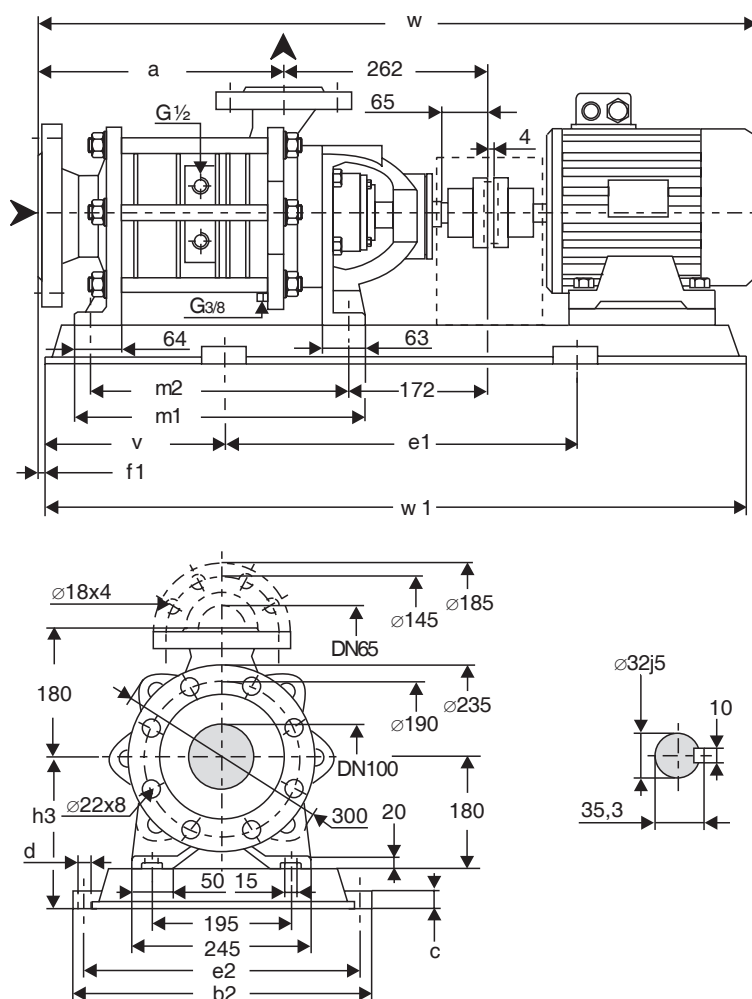
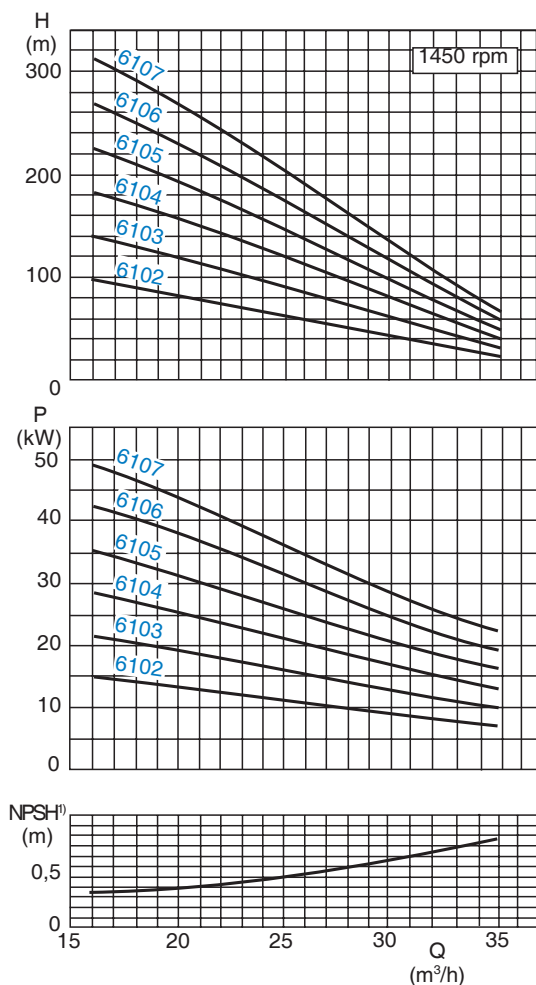
Pump size	Motor kW	Motor size	Base plate	Coupling	Weight pump set	a	b2	c	d	e1	e2	v	f1	h3	m1	m2	w*	w1	
5102/7	5	132S	P017	BDS103	80	180	455	361	25	15	700	325	200	-28	220	503	465	1180	1100
	6.8	132M			232	1191													
5103/7	6.8	132M	P385	BDS103	90	252	530	490	30	24	740	440	200	-28	240	578	540	1266	1140
	10	160M	P436		292	540												840	
5104/7	10	160M	P487	BDS103	101	325	605	610	35	28	940	550	240	-28	260	653	615	1428	1420
	13.5	160L			347	1472													
5105/7	10	160M	P487	BDS103	111	335	680	610	35	28	940	550	240	-28	260	728	690	1503	1420
	13.5	160L		BDS118		357												1547	
	15	180M	P538	395		660												1060	
5106/7	13.5	160L	P538	BDS118	121	408	755	660	35	28	1060	600	280	-28	260	803	765	1622	1620
	15	180M			429	280												1715	
5107/7	15	180M	P538	BDS118	132	440	830	660	35	28	1060	600	280	-28	280	878	840	1790	1620
	17.5	180L			463														

¹⁾ A safety margin of 1 m has to be added when using a liquid containing gas.

* Dimensions depend upon the motor brand.

Dimension chart, Pump set drawing and Performance curves

CEHA 6100/7 (with retaining stage)



General: Values are valid for water $\rho = 1 \text{ kg/dm}^3$ and $\nu = 1 \text{ cSt}$.

Design tolerances: Capacity $\pm 5\%$ - Delivery head $\pm 5\%$ - Power $+ 10\%$.
For designs with a mechanical seal or casing seal of soft Teflon, the tolerance for the delivery head is extended by 2% each.

Pump size	Motor kW	Motor size	Base plate	Coupling	Weight pump set	a	b2	c	d	e1	e2	v	f1	h3	m1	m2	w*	w1						
6102/7	6.8	132M	P385	BDS103	105	267	518	490	30	24	740	440	200	-35	260	571	533	1279	1140					
	10	160M	P436		307	540												840	490	215	1366	1270		
6103/7	6.8	132M	P487	BDS103	117	608	610	35	28	940	550	240	-35	280	661	623	1456	1500	1420					
	15	180M		BDS118																384	1593			
	15	180M		BDS118																439	1683			
6104/7	17.5	180L	P538	BDS118	130	698	660	35	28	1060	600	280	-35	280	751	713	1738	1620						
	24	200L		BDS135										540					300					
6105/7	15	180M	P538	BDS118	142	788	660	35	28	1060	600	280	-35	280	841	803	1773	1828	1620					
	17.5	180L		BDS118										450						1863				
	24	200L		BDS135										485						1828				
6106/7	17.5	180L	S389	BDS118	155	878	540	40	28	1200	490	300	-35	280	931	893	1863	1918	1800					
	24	200L		BDS135										391						1863				
	30	225S		S609										620						730	670	310	325	2018
6107/7	24	200L	S389	BDS135	167	968	540	40	28	1200	490	300	-35	300	931	983	2008	2003	1800					
	30	225S		BDS152										482						532	609	350	345	2003
	36	225M		14211										BDS152						630	740	40	28	1300

¹⁾ A safety margin of 1 m has to be added when using a liquid containing gas.

* Dimensions depend upon the motor brand.

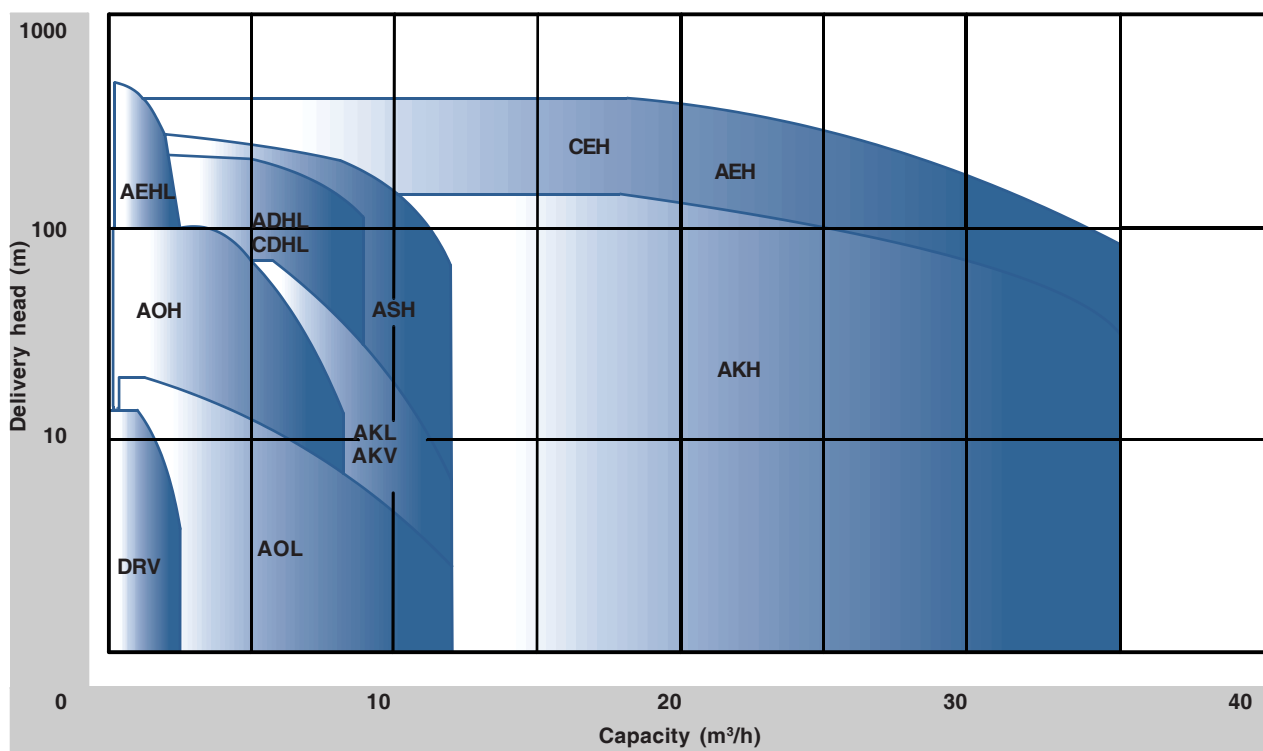
Notes

Sterling SIHI Side Channel pumps

Sterling Fluid Systems offers an extensive Side Channel pump range under its brand name Sterling SIHI. Sterling Fluid Systems has more than 80 years of experience in manufacturing, installation and support of Side Channel pumps. The Sterling SIHI Side Channel pumps can be found in a wide application range for the:

- Chemical market
- Pharmaceutical industry
- Petrochemical industry
- Food industry
- Ship yards
- LPG industry
- and many more ...

The Sterling SIHI Side Channel pump range



The benefits of the Sterling SIHI Side Channel pumps

- Self priming
- Gas handling
- High-resistant materials
- Performance curve characteristics
- High efficiency
- Low $NPSH_R$ value
- Modular hydraulic system

The Sterling SIHI Side Channel pumps comply with the highest demands of our customers and are the best solution for the handling of liquids under critical physical conditions.

Sterling Fluid Systems (Europe)
www.sterlingfluidsystems.com/europe

Sterling Fluid Systems (Austria)
Wien
Telephone: +43 (0)1 680 050
Fax: +43 (0)1 680 0521
E-Mail: sales_austria@sterlingsihi.de

Sterling Fluid Systems (France)
Trappes
Telephone: +33 (0)1 34 82 39 00
Fax: +33 (0)1 34 82 39 61
E-Mail: sterlingsihi@easynet.fr

Sterling Fluid Systems (Greece)
Athens
Telephone: +302 (0)10 9570783
Fax: +0302 (0)10 9568121
E-Mail: sales_greece@sterlingsihi.de

Sterling Fluid Systems (Netherlands)
Beverwijk
Telephone: +31 (0)251 263 232
Fax: +31 (0)251 226 309
E-Mail: info@sihi.nl

Sterling Fluid Systems (Schweiz)
Schaffhausen
Telephone: +41 (0)52 6440606
Fax: +41 (0)52 6440616
E-Mail: info@sterlingfluid.ch

Sterling Fluid Systems (Belgium)
Groot-Bijgaarden
Telephone: +32 (0)2 481 7711
Fax: +32 (0)2 481 7737
E-Mail: sales@sterlingfluidsystems.be

Sterling SIHI (Germany)
Itzehoe
Telephone: 49 (0)4821 77101
Fax: 49 (0)4821 771274
E-Mail: sales@sterlingsihi.de

Sterling Fluid Systems (Hungary)
Veszprém
Telephone: +36 (0)88 40 66 33
Fax: +36 (0)88 40 66 35
E-Mail: sales_hungary@sterlingsihi.de

Sterling Fluid Systems (Polska)
Warszawa
Telephone: +48 (0)22 849 7097
Fax: +48 (0)22 849 6726
E-Mail: sterling@sterling.pl

Sterling Fluid Systems (Spain)
Madrid
Telephone: +34 (0)91 709 1310
Fax: +34 (0)91 715 9700
E-Mail: mibsa@stnet.es

Sterling Fluid Systems (Czech Republic)
Olomouc
Telephone: +420 (0)587 433 651
Fax: +420 (0)587 433 653
E-Mail: sterling@sterling.cz

Sterling Fluid Systems (Italy)
Monza
Telephone: +39 (0)039 2824 1
Fax: +39 (0)039 2824 220
E-Mail: sterlingitaly@sidro.it

Sterling Fluid Systems (Romania)
Bucuresti
Telephone: +40 (0)21 610 7188
Fax: +40 (0)21 210 8287
E-Mail: sales_romania@sterlingsihi.de

Sterling SAT
Dägeling, Germany
Telephone: +49 (0)4821 9000-0
Fax: +49 (0)4821 9000-501
E-Mail: sat@sterlingsat.com

Sterling Fluid Systems (UK)
Altrincham/Cheshire
Telephone: +44 (0)161 9286371
Fax: +44 (0)161 9252129
E-Mail: uksales@sterlingfluid.com

Sterling Fluid Systems (Americas)
www.sterlingfluidsystems.com/americas

Sterling Fluid Systems (USA)
Grand Island
Telephone: (1) 716 773 6450
Fax: (1) 716 773 2330
E-Mail: mail@sihi.com

Sterling Fluid Systems (Canada)
Guelph
Telephone: (1) 519 824 4600
Fax: (1) 519 824 7250
E-Mail: mail@sihi.com

Sterling Fluid Systems (Asia)
www.sterlingfluidsystems.com/asia

Sterling Fluid Systems (Asia)
Singapore
Telephone: (65) 68630 828
Fax: (65) 68630 868
E-Mail: asia.marketing@sterlingasia.com.sg

SIHI (Australia)
Bayswater
Telephone: (61) 3 9720 1500
Fax: (61) 3 9720 4076
E-Mail: sfsaus@ozemail.com.au

Sterling Fluid Systems (China)
Shanghai
Telephone: (8621) 6336 3488/6326 4171/6326 4062
Fax: (8621) 63268487
E-Mail: asia.marketing@sterlingasia.com.sg

Sterling Fluid Systems (Malaysia)
Selangor Darul Ehsan
Telephone: (60) 3 8070 0198/99
Fax: (60) 3 8070 0240
E-Mail: sfmsia@tm.net.my

Sterling Fluid Systems (Philippines)
Muntinlupa City
Telephone: (63) 2 809 4908
Fax: (63) 2 807 2013
E-Mail: asia.marketing@sterlingasia.com.sg

Sterling Fluid Systems (Thailand)
Bangkok
Telephone: (66) 2 319 2567
Fax: (66) 2 319 25673/4
E-Mail: sfsthai@sterlingthai.co.th

