



COUPLING

SPEED REDUCER

The chain coupling, composed of two-strand roller chains and two sprockets, features simple and compact structure, and high flexibility, power transmission capability and durability. What's more, the chain coupling allows simple connection/disconnection, and the use of the housing enhances safety and durability.



Coupling



Casing

Make sure to use the housing for high speed operation and for use in dusty or corrosive environment

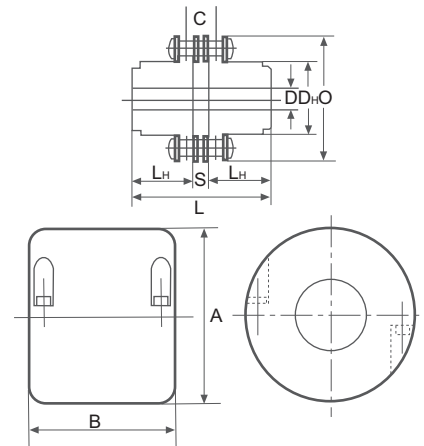


Sprocket

Double Strand Roller Chain



Sprocket



CHAIN COUPLING

Coupling number	Chain pitch	Coupling										Casing		
		Drill hole	Shaft diam.		O	L	D _H	L _H	S	C	Approx weight kg/m	A	B	Approx weight kg/m
			Min.	Max.										
3012	9.525	12	13.5	16	45	65	27.2	29.5	6.0	10.1	0.31	69	63	0.22
4012		12	14	22	62	79.4	36	36			0.73	77	72	0.30
4014	12.70	12	14	28	69	79.4	45	36	7.4	14.4	1.12	84	75	0.31
4016		13.5	16	32	77	87.4	51.5	40			1.50	92	72	0.35
5014		14.5	17	35	86	99.7	56	45			2.15	101	85	0.47
5016	15.875	14.5	18	40	96	99.7	64	45	9.7	18.1	2.75	110	87	0.50
5018		16	18	45	106	99.7	73.5	45			3.60	122	85	0.60
6018		20	22	56	127	123.5	89.5	56			6.55	147	105	1.2
6020	19.05	20	24	60	139	123.5	102.5	56	11.5	22.8	8.38	158	105	1.2
6022		20	28	71	151	123.5	116	56			10.4	168	117	1.2
8018		20	32	80	169	141.2	115	63			13.2	190	129	1.9
8020	20.40	20	36	90	185	145.2	125	65	15.2	29.3	16.2	210	137	2.5
8022		20	40	100	202	157.2	142	71			21.8	226	137	2.7
10020	31.75	25	45	110	233	178.8	162	80	18.8	35.8	32.4	281	153	4.1
12018		35	50	125	256	202.7	173	90			43.2	307	181	5.2
12022	38.10	35	56	140	304	222.7	213	100	22.7	45.4	69.1	357	181	6.7